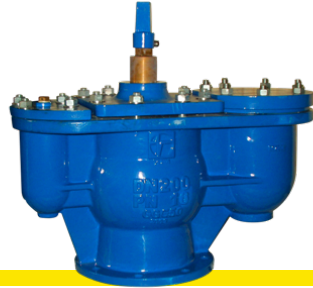




## Automatic air valves, with double orifice and integrated valve, flanged PN 16, 25



Art. 706-712

Flanges: UNI EN 1092-2 PN 16-25

Installation: at the high part of pipelines

APPLICATIONS • Aqueducts • Irrigation plants

- Fig. 706: flanges drilling PN 16

- Fig 712: Flanges drilling PN 25

Epoxy painting suitable for drinking water applications.

The double orifice automatic air valves with integrated valve are used for applications related to troubles with air in the pipelines. The double air valves with integrated valve working as isolating valve allow maintenance or replacement of balls in line. The minimum pressure on seat is 0,3 bar.

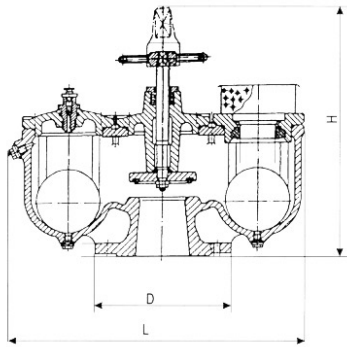
The double ball air valves have three functions:

- Discharge large amount of air during filling operations
- Discharge small amount of air during working operations
- Let air in during piping emptying operations

### Materials

body	ductile iron GGG40/50, EN-GJS-400/500
cover	ductile iron GGG40/50, EN-GJS-400/500
floating balls	ABS / NBR / st.st. AISI 304
gasket	EPDM
painting	epoxy

## Dimensions



DN	L mm.	H mm.	D mm.	Weight kg.
50	290	415	165	22
65	290	415	185	30
80	290	425	200	30
100	530	480	220	52
150	656	515	285	109
200	790	615	340	196

## Pressure

DN	Nominal pressure	Test pressure Mpa		Max working pressure Mpa
mm	BAR	body	seat	40°C
50-200	16	2,4	1,76	1,6
50-200	25	4,0	2,75	2,5

## DN of pipeline

## DN of air valve

< 200 mm	DN 50
200 mm - 250 mm	DN 80
300 mm - 500 mm	DN 100
600 mm - 900 mm	DN 150
1000 mm - 1200 mm	DN 200
> 1200 mm	DN 250 o 2 x DN 200

