



Dismantling joints with bellow in stainless steel, flanged PN 16



Art. 20081

Flanges: UNI EN 1092-2 PN 16

Installation: horizontal

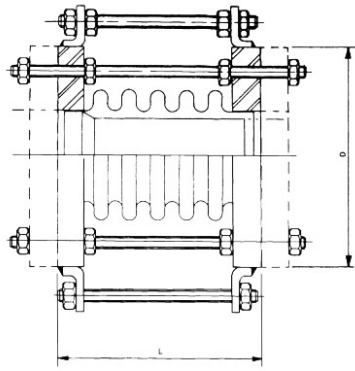
APPLICATIONS • Water supply • Industry • Irrigation •
Pumping stations

The dismantling joints are used in order to mount and dismantle valves from the pipeline. The bellow allows the compression of the joints, facilitating installation or dismantling procedures, compensating axial movements of the pipe. The joint must be compressed before installation. The bellow dismantling joints can be installed above or underground, in chambers and generally speaking in plants during operations. The bellow is made in stainless steel AISI 304/321, tie rods and bolts are in stainless steel AISI 304, flanges in galvanized steel or epoxy coated. Connection stud bolts are not included.

Materials

bellow	ASTM A240 Tp 321
sleeve	ASTM A240 Tp 304
flanges	Q235JR
tie rods	stainless steel AISI 304

Dimensions



DN	L mm.	Compression mm.	D mm.	Weight kg.
150	186	30	285	18
200	184	30	340	25
250	189	30	405	40
300	194	30	460	48
350	192	30	520	73
400	192	30	580	91
450	192	30	640	105
500	192	30	715	127
600	192	30	840	175
700	192	30	910	220
800	196	30	1025	287
900	200	30	1125	312
1000	204	30	1255	400
1200	192	30	1485	475
1400	200	30	1685	525

